



\*Left Handing image shown above and below.

### SPECIFICATION

Designed for the safety, security and convenience of the physically disabled. Easy to install on most building surfaces. Grab Rails shall be type 304 stainless steel alloy 18-8. Tubing shall be 32mm diameter x 18 gauge (1.2mm). Flange shall be 3mm thick and shall be Heliarc welded to tubing with a continuous concealed bead and shall have three (3) 7mm diameter mounting holes. Cover plates to conceal flange and fixings shall be 22 gauge (0.8mm) stainless steel.

### \*HANDING

Grab rails indicating handing are referenced from the in-situation position (eg the pan or shower) not looking at it. Handing is indicated by the suffix of either LH (Left Hand) or RH (Right Hand) and MUST be specified at time of order.

### OPTIONS

ASI JD MacDonald can supply custom Grab Rails to satisfy any unique application (POA).

### FINISH

All exposed surfaces shall have a Satin finish.

### RECOMMENDED INSTALLATION

To comply with Australian Standards AS 1428.1, grab rails must be fastened a minimum distance of 800mm from the floor, with 600mm of clear space above the rail and to withstand a force of 1100N at any point from any direction.

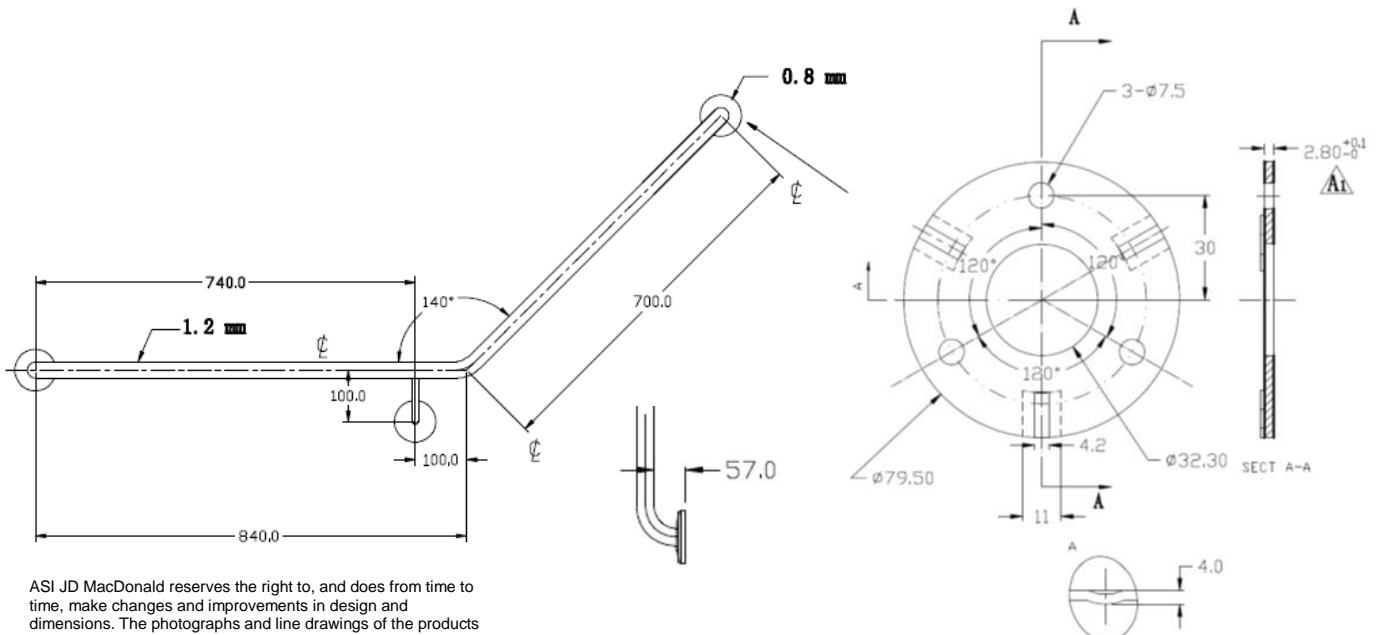
### WARRANTY

Grab Rail products distributed by ASI JD MacDonald are guaranteed to be free from defective materials and workmanship for 12 months from the date of purchase, subject to product being installed and maintained in accordance with the Installation and Operating instructions (fixings supplied by others).

Grab Rail JDM-GTP-8-LH & JDM-GTP-8-RH shall be Model No. JDM-GTP-8-LH & JDM-GTP-8-RH as supplied by ASI JD MacDonald.



All ASI JD MacDonald disabled compliant products when installed must be in accordance with AS1428 to ensure the specified product is complying with all washroom specification requirements.



ASI JD MacDonald reserves the right to, and does from time to time, make changes and improvements in design and dimensions. The photographs and line drawings of the products in this flyer are representational only. All dimensions are in millimetres.